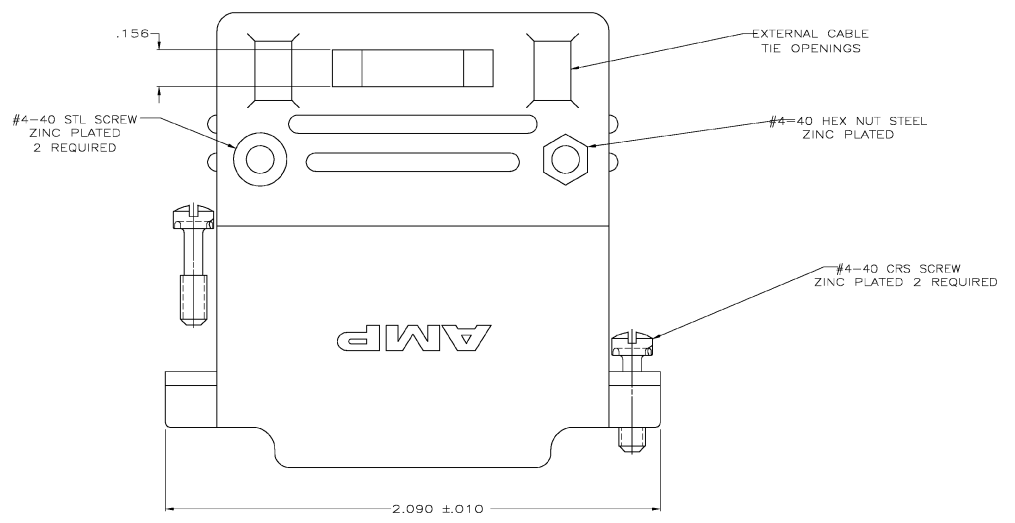
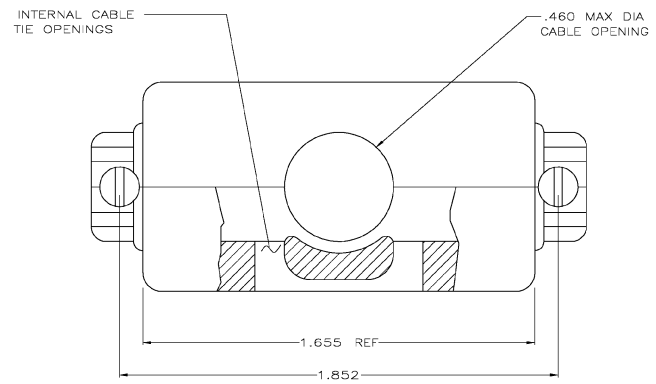
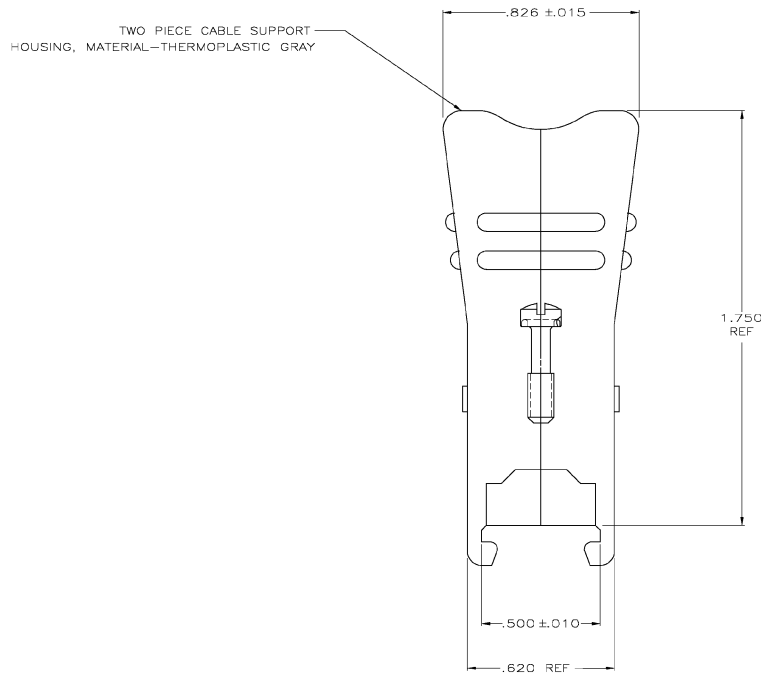


- 1 THIS PART WILL FIT ANY SIZE 3 PLUG OR RECEPTACLE IN THE AMPLIMITE SERIES .
 - 2 ALL PARTS ARE PACKAGED UNASSEMBLED.
- ⚠ ONE KIT PER POLY BAG.
 - ⚠ SAME AS -1 EXCEPT BULK PACKAGED.



OBSOLETE	⚠	745134-2
	⚠	745134-1
PACKAGING		PART NUMBER

THIS DRAWING IS A CONTROLLED DOCUMENT:

DESIGNED BY: MCMMASTER	CHECKED BY: BOHIDE	DATE: 05/13/03	SCALE: 4:1
DRAWN BY: WALSLEY	APPLICATION SPEC: 208	DATE CODE: 00779	CUSTOMER DRAWING
MATERIAL: SEE CALLOUT	FINISH: SEE CALLOUT	WEIGHT: --	SCALE: 4:1

Amplite Electronics
 Tyco Electronics Corporation
 Harrisburg, PA 17109-3608
 CABLE SUPPORT ASSEMBLY, SIZE 3,
 25 POSITION, AMPLIMITE™ HD-20
 DRAWING NO: 745134
 SHEET 1 OF 1
 REV C